

MOSA M12 MALE 0° FIELD-WIREABLE (IDC)4-pol., 0,14-0,34mm²

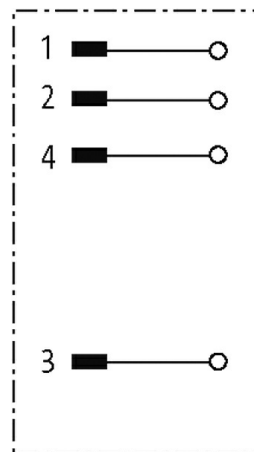
Male straight

M12, 4-pole

IDC terminals

Connection cross section: 0.14...0.34 mm²

The resistance to aggressive media should be individually tested for your application. Further details on request.

Illustration

Product may differ from Image

Approvals**Form**

Form 12491

Technical Data

Operating voltage	max. 32 V AC/DC
Operating current per contact	max. 4 A
Connection cross section	0.14...0.34 mm ² (conductor diameter min. 0.1 mm)
Sealing range (cable Ø)	2.9...5.1 mm
Wire isolation	PVC, PP, TPE
Outer wire Ø	1.0...1.6 mm

stay connected

Locking of ports	Screw thread (M12×1 mm) recommended torque 0.6 Nm, self-securing
Protection	IP67 inserted and tightened (EN 60529)
Reconnection (cable)	10

General data

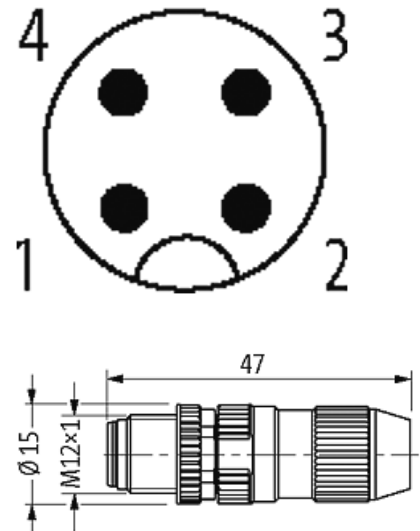
Temperature range	-25...+85 °C
Dimensions H×W×D	43×15×15 mm

Commercial data

country of origin	DE
customs tariff number	85366990
EAN	4048879201834
eClass	27279221
Packaging unit	1

Sketch

Male



Product may differ from Image